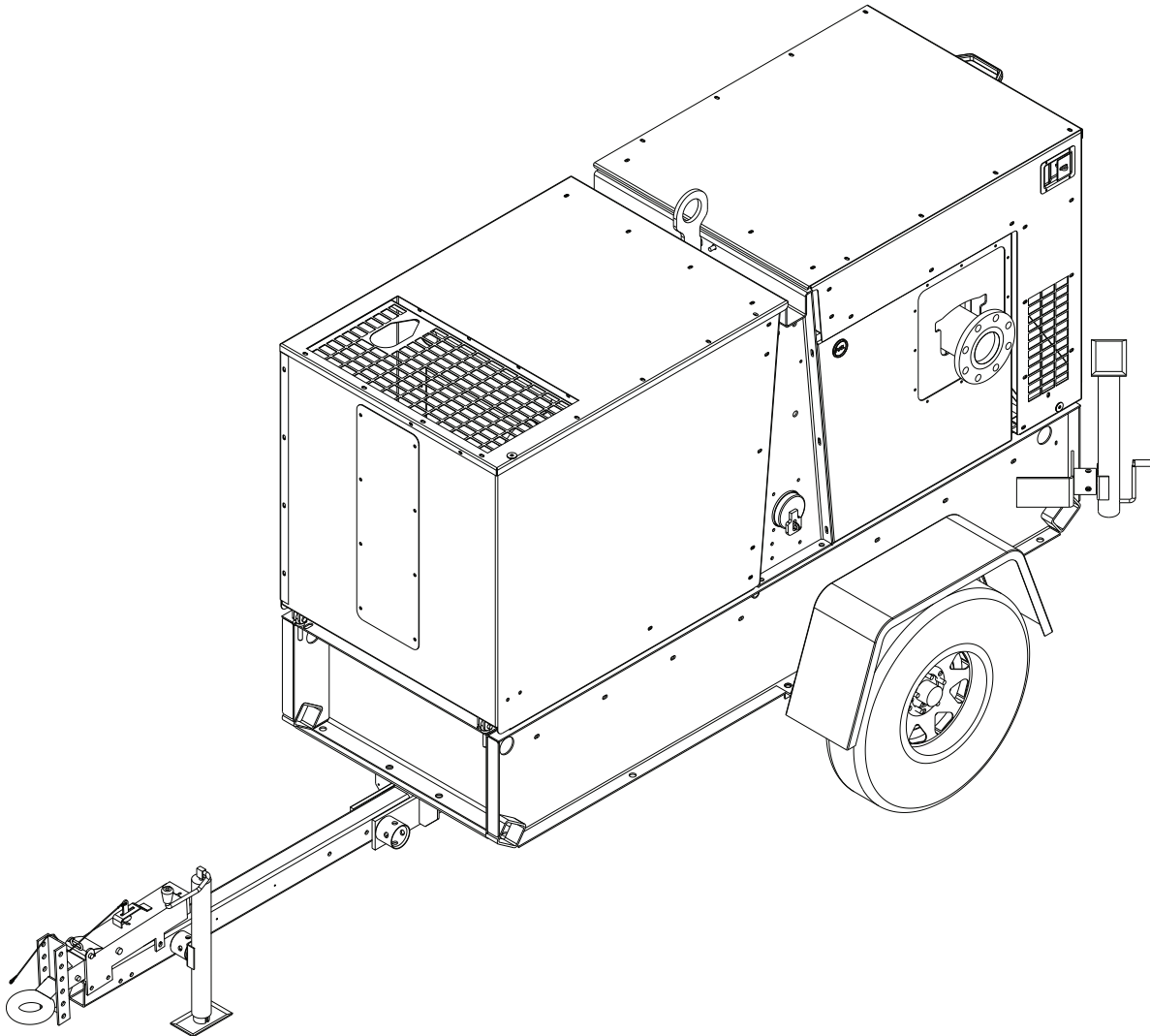




DRY-PRIME DIESEL TRASH PUMP
MTP6500FHNPC



PARTS MANUAL

INTRODUCTION

Before servicing this machine, make sure the engine start switch is turned to off "O", the emergency stop switch is closed (pushed in), and the negative (-) terminal on battery is disconnected. Attach a "DO NOT START" sign to the control panel. This will notify everyone that the unit is being serviced and will reduce the chance of someone inadvertently trying to start the unit.

▲ WARNING

Before operating or servicing this equipment, read and understand the Magnum Operating Manual which was included with the unit when shipped from the factory. Failure to do so increases the risk of injury to yourself or others.

MAGNUM POWER PRODUCTS LLC

215 Power Drive • Berlin, WI 54923

U.S.A.

Phone: 920-361-4442

FAX: 920-361-4416

Toll Free: 1-800-926-9768

www.m-p-llc.com

For technical or parts QUESTIONS, please contact the Magnum Power Products Customer Support or Technical Support team at 920-361-4442 or toll free at 1-800-926-9768. Please have your serial number available.

To ORDER SERVICE PARTS, please contact the dealer from which you purchased the unit, or call Magnum Power Products to locate a dealer in your area.

Engine Make: _____

Engine Serial Number: _____

Engine Model Number: _____

Pump Make: _____

Pump Model Number: _____

Pump Serial Number: _____

Unit Model Number: _____

Unit Serial Number: _____

▲ WARNING

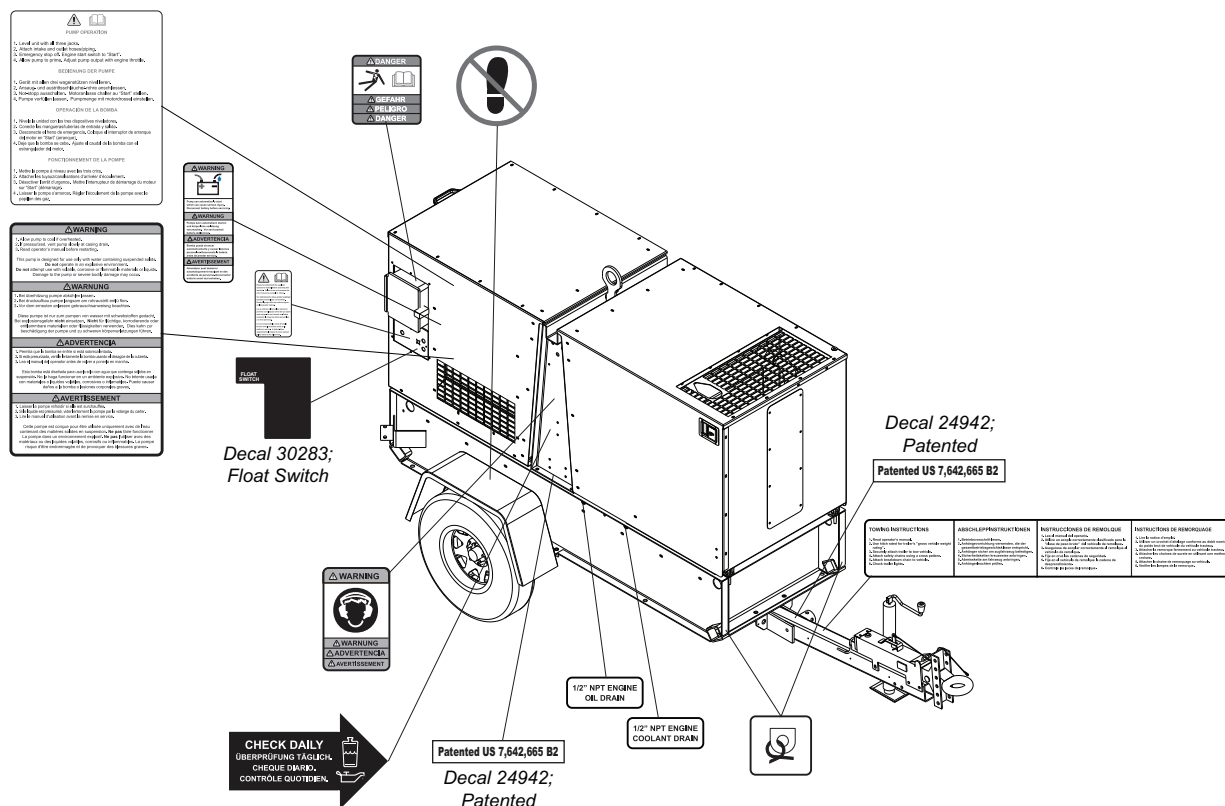
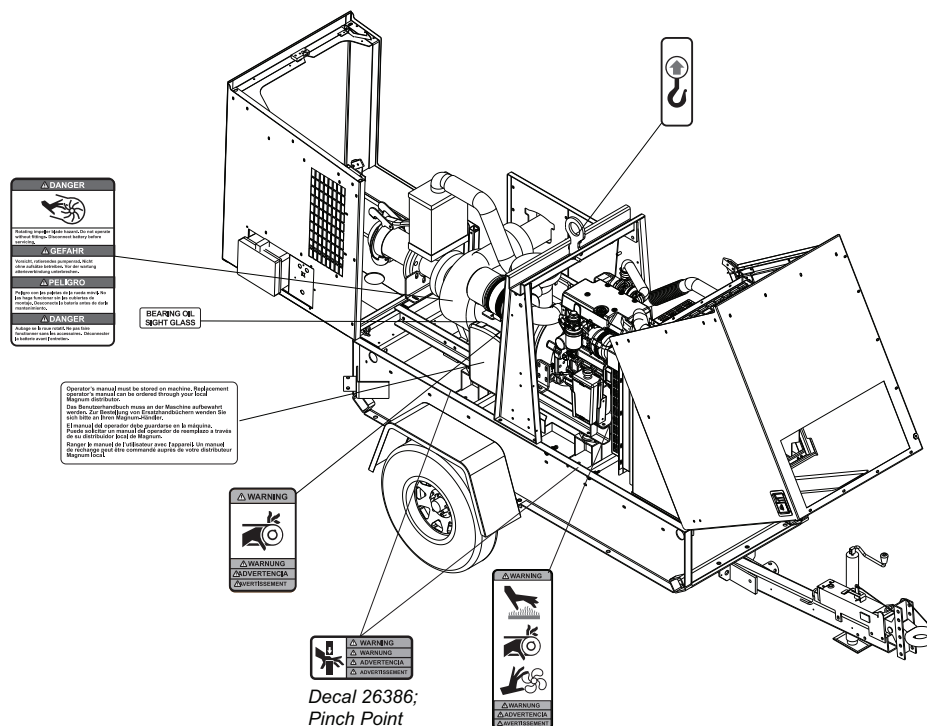
CALIFORNIA PROPOSITION 65 WARNING:

Diesel engine exhaust and some of its constituents are known to the state of California to cause cancer, birth defects and other reproductive harm.

TABLE OF CONTENTS

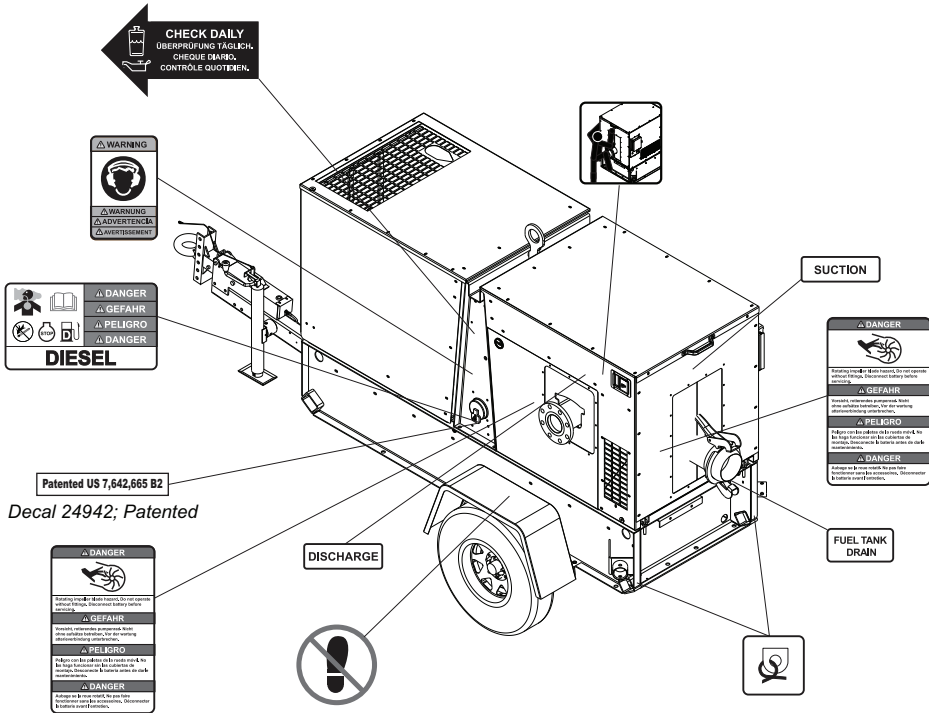
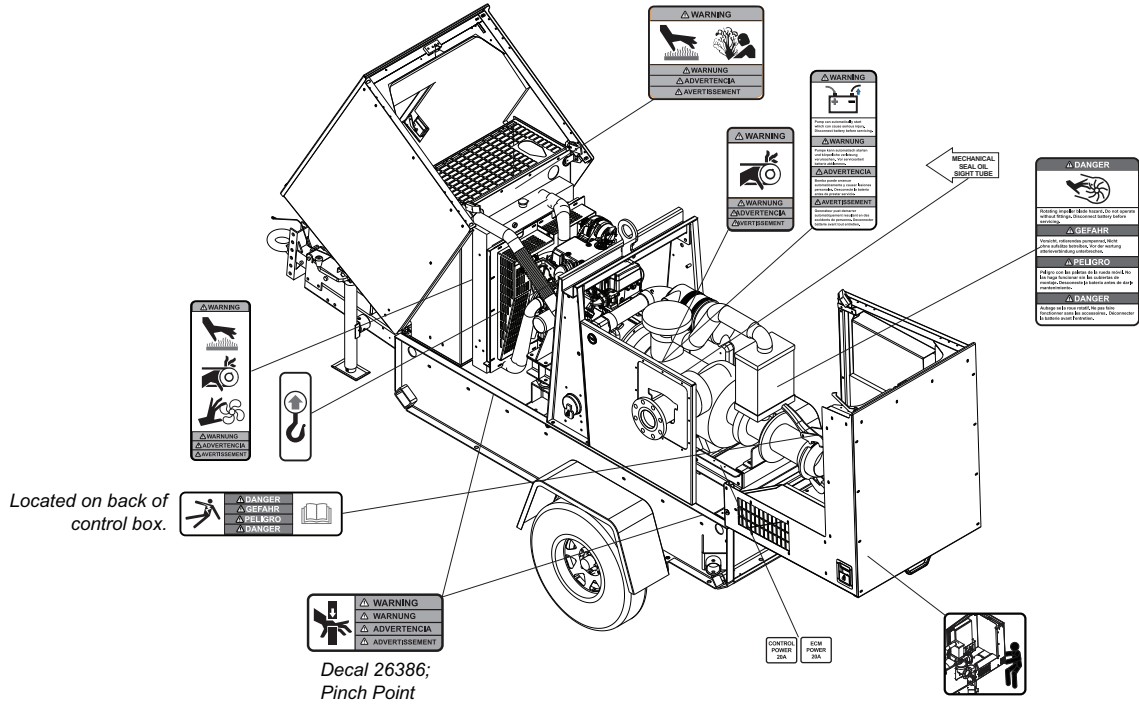
	Page
INTRODUCTION	2
UNIT DECALS	4
FUEL TANK ASSEMBLY	6
LIFT STRUCTURE ASSEMBLY	8
SKID ASSEMBLY	10
AIR FILTER ASSEMBLY	12
EXHAUST SYSTEM ASSEMBLY	13
ENGINE ASSEMBLY	14
ENGINE AND PUMP TO SKID ASSEMBLY	16
CONTROL BOX ASSEMBLY	18
COOLING SYSTEM ASSEMBLY	20
FRONT HOOD ASSEMBLY	22
FRONT HOOD SUPPORT STRUCTURE ASSEMBLY	24
REAR HOOD ASSEMBLY	26
REAR HOOD SUPPORT STRUCTURE ASSEMBLY	28
HOODS TO SKID ASSEMBLY	30
BRAKE LINES - SINGLE AXLE, FLIP TONGUE	31
TRAILER ASSEMBLY	32
NOTES	34

UNIT DECALS



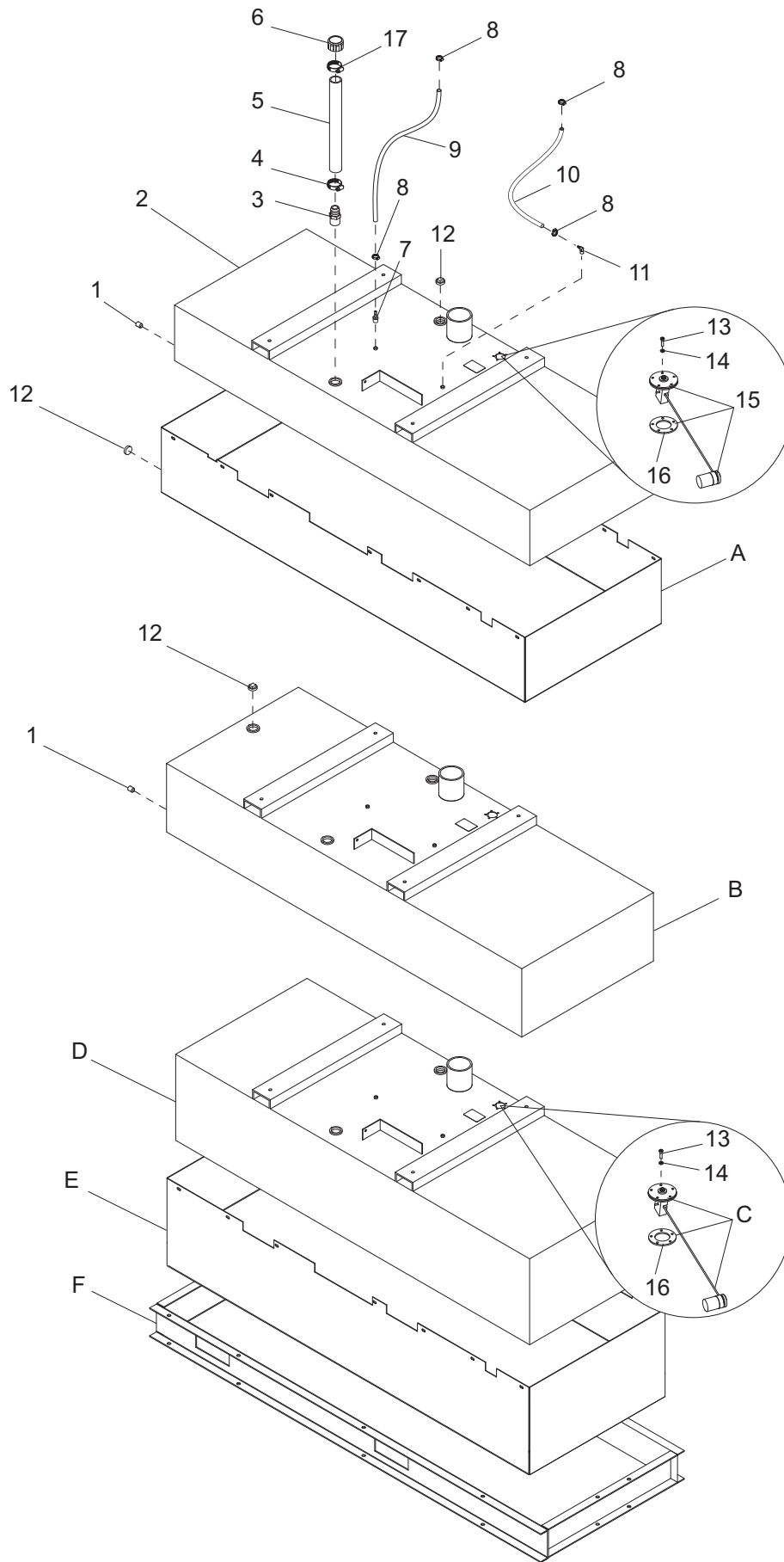
Note: All safety and operating decals shown above are located on decal sheet 49857, unless otherwise noted.

UNIT DECALS (CONTINUED)



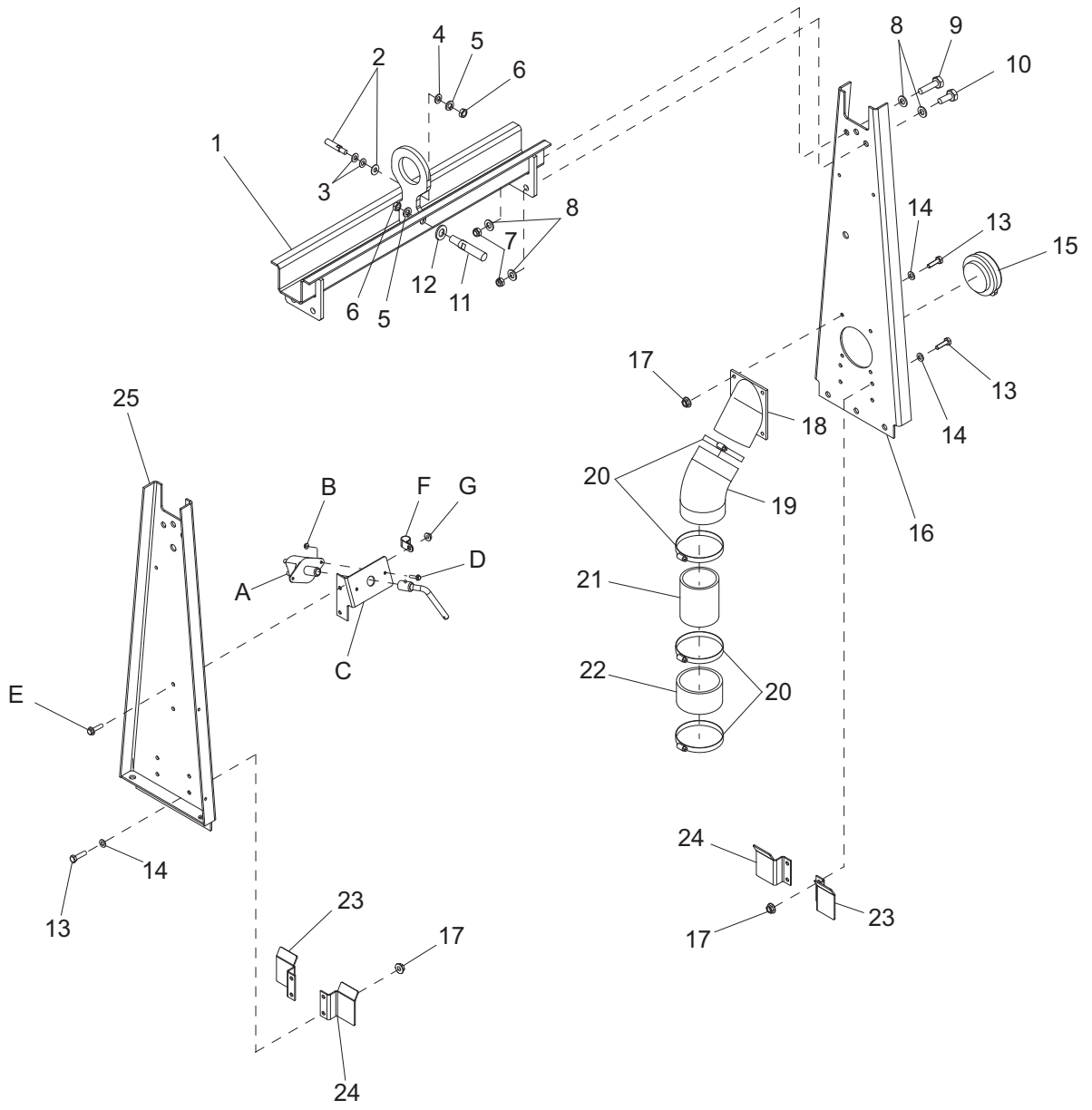
Note: All safety and operating decals shown above are located on decal sheet 49857, unless otherwise noted.

FUEL TANK ASSEMBLY



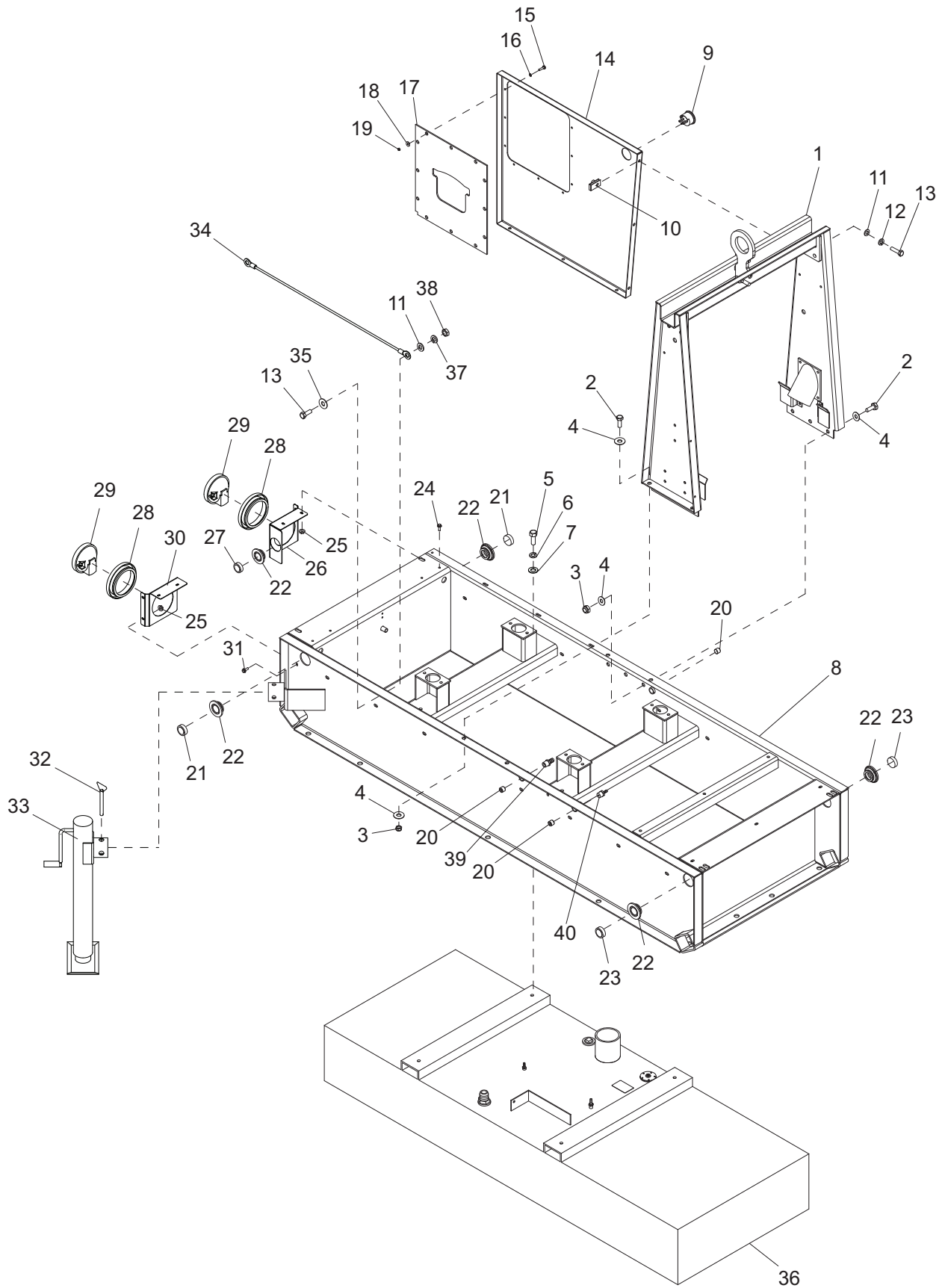
ITEM	PART NO.	QTY	DESCRIPTION	NOTES
1	18394	1	Fitting, plug, .500NPT	
2	24308B	1	Tank, fuel - 110 gal.	
3	21451	1	Fitting, 1.00NPT x 1" barb	
4	19338	1	Clamp, hose	
5	50019	2.75 ft.	Hose, fuel - 1"	
6	26379	1	Vent, plastic fuel 1.00 ID	
7	15142	1	Fitting, hose barb	
8	14216	4	Clamp, hose - SAE 004 (.21-.62) mini	
9	50018	3.00 ft.	Hose, fuel - .312 ID 50 psi	
10	50018	2.75 ft.	Hose, fuel - .312 ID 50 psi	
11	15693	1	Fitting, barb, 90° elbow	
12	60861	1	Plug, flush mount	
13	60062	5	Screw, pan hd phil	
14	60252	5	Washer, #10 split lock	
15	20571	1	Sender, fuel - 10-15" tank	
16	22323	1	Gasket, fuel sending unit	
17	62040	1	Clamp, hose	
A	26100B	1	Pan, 24 hr. containment	Option: 24 hour run w/cont.
B	26406B	1	Tank, fuel - 78 gal. dbl wall	Option: 78 gal. double wall tank
C	21206	1	Sender, fuel - 15.5-24"	Option: 36 hour run
D	26437B	1	Tank, fuel - 160 gal.	Option: 160 gal. tank
E	26460B	1	Pan, 36 hour containment	Option: 36 hour run w/cont.
F	27628B	1	Skid, fork pocket extension	Option: 36 hour run

LIFT STRUCTURE ASSEMBLY



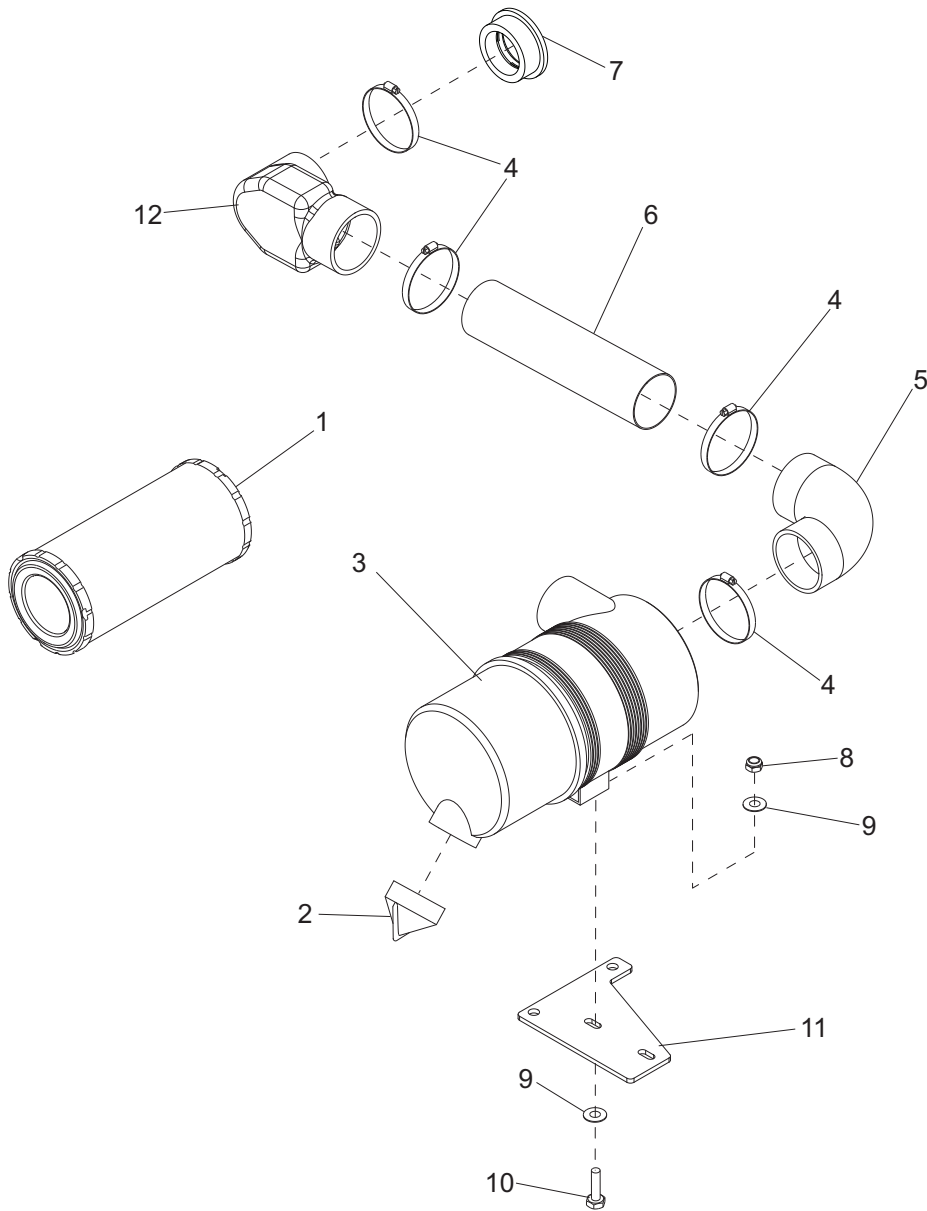
ITEM	PART NO.	QTY	DESCRIPTION	NOTES
1	49897B	1	Weldment, top lift channel	
2	23643	1	Pin, striker	
3	60386	2	Washer, flat .375	
4	60416	2	Washer, flat .500	
5	60276	2	Washer, split lock .500	
6	24046	2	Striker nut, .438	
7	60307	6	Nut, .500-13 hx nylock	
8	60309	12	Washer, flat .500 SAE	
9	60484	1	Screw, .500-13x2.000 hx hd	
10	60388	5	Screw, .500-13x1.500 hx hd	
11	26979ZY	1	Pin, striker - 3.25	
12	24196	1	Washer, striker pin - int. thrd.	
13	61036	12	Screw, .375-16x1.25 hx hd SS	
14	60698	12	Washer, flat .375 SS	
15	23707	1	Cap, fuel fill - 3.50	
16	41524B	1	Weldment, lift post - left	
17	60145	12	Nut, .375-16 sflg lock	
18	49903B	1	Weldment, fuel fill	
19	22286	1	Elbow, 45 4.0 ID molded rubber	
20	19842	4	Clamp, hose - SAE 072 (4.06-5.00)	
21	41564B	1	Tube, fuel extension	
22	19612	1	Hose, air filter, 4"	
23	28523B	2	Bracket, hood guide rh/front lh/rear	
24	28524B	2	Bracket, hood guide lh/front rh/rear	
25	49718B	1	Weldment, lift post - right	
A	21489	1	Battery disconnect switch - 500A cont.	Option
B	60161	2	Nut, .250-20 hx ser flg	Option
C	26095B	1	Bracket, battery disconnect	Option
D	60107	2	Screw, .250-20x.750 hx ser flg	Option
E	61091	2	Screw, .312-18 x 1.00 ser flg hd	Option
F	60716	1	Clamp, tubing - 1.50 lt duty	Option
G	60095	2	Nut, .312-18 hx ser flg	Option

SKID ASSEMBLY



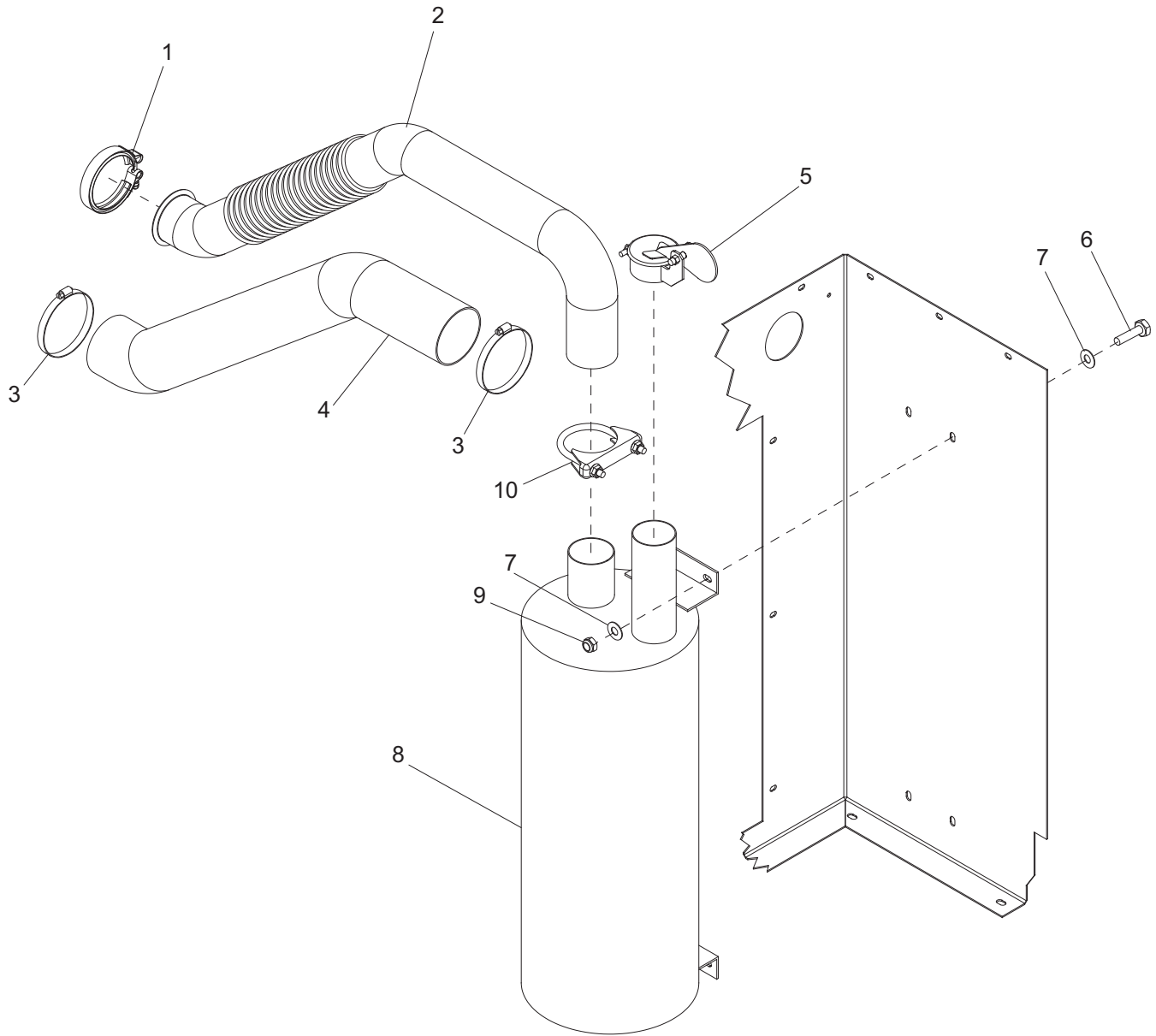
ITEM	PART NO.	QTY	DESCRIPTION	NOTES
1	Page 8	1	Assembly, lift structure	
2	60388	10	Screw, .500-13x1.500 hx hd	
3	60307	10	Nut, .500-13 hx nylock	
4	60309	20	Washer, flat .500 SAE	
5	61101	4	Screw, .500-13x1.500 std hex g8 lb	
6	60276	4	Washer, .500 split lock	
7	60309	4	Washer, .500 flat 1.060/.090	
8	49799B	1	Weldment, skid	
9	65631	1	Gauge, fuel - elec w/light	
10	62086	6	Nut, .312-18 U clip PO short type	
11	60340	7	Washer, .312 flat .875/.040 18-8 SS	
12	60701	6	Washer, .312 split lock 18-8 SS	
13	60507	7	Screw, .312-18x1.000 std hex 18-8 SS	
14	49723NS	1	Panel, volute support	
15	60684	12	Screw, .250-20x.875 std hex18-8 SS	
16	60696	12	Washer, .250 flat .625/.050 18-8 SS	
17	49850	1	Rubber seal - 6.00 pump outlet	
18	60089	12	Washer, .265 fndr 1.250/.060	
19	60144	12	Nut, .250-20 nylk	
20	18394	3	Plug, .500NPT x hex socket	
21	66397	2	Light, clearance, 2.0", no grommet, red	
22	66394	5	Grommet, sealed beam light, rubber 2.0"	
23	66396	2	Light, clearance, 2.0", no grommet, amber	
24	60479	4	Screw, .250-20x1.000 sflg hex	
25	60161	8	Nut, .250-20 sflg	
26	29674B	1	Bracket, rear light left side	
27	66395	1	Light, utility, 2.0", no grommet, clear	
28	10221	2	Grommet, rear light, rubber 4.5"	
29	10220	2	Light, rear tail/turn, round, no grommet	
30	29673B	1	Bracket, rear light right side	
31	60175	4	Screw, .250-20x.500 sflg hex	
32	23256	2	Pin, jack - 2000# tube mtd	
33	41133	2	Jack, side wind - 2000# tube mount	
34	49898	1	Tether, cable steel .188diax30.00 w/eyelets	
35	60452	1	Washer, .313 flat 1.125/1.000 18-8 SS bond rubber	
36	Page 6	1	Assembly, fuel tank	
37	60271	1	Washer, .312 split lock	
38	60285	1	Nut, .312-18 hex	
39	60999	1	Fitting, strt-.500MNPTx.312barb brs	
40	60502	1	Fitting, strt-.500MNPTx.625barb brs	

AIR FILTER ASSEMBLY



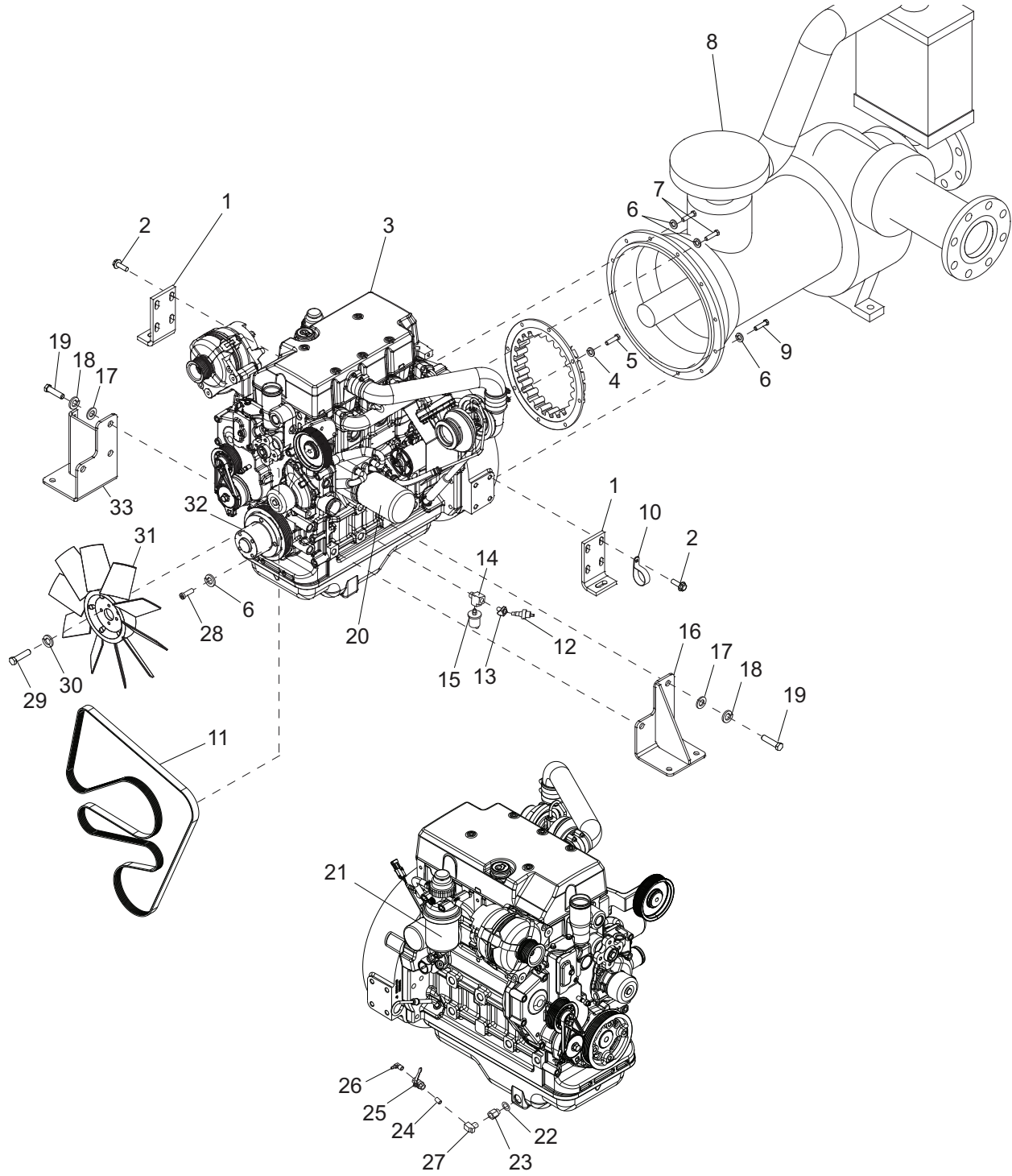
ITEM	PART NO.	QTY	DESCRIPTION	NOTES
1	22874	1	Element, air filter	
2	19277	1	Cap, dust ejector	
3	22967	1	Filter, air	
4	18663	4	Clamp, hose - (3.31-4.25)	
5	22873	1	Elbow, 90 3.0 ID mlded rbr short length	
6	49717B	1	Pipe, air inlet	
7	22872	1	Insert, air hose reducer 2.25-3.0	
8	60303	2	Nut, .312-18 hx nylock	
9	60119	4	Washer, flat .312	
10	60028	2	Screw, hx hd	
11	49716B	1	Bracket, air filter	
12	24478	1	Elbow, 90 3.0 ID mlded rbr cobra head	

EXHAUST SYSTEM ASSEMBLY



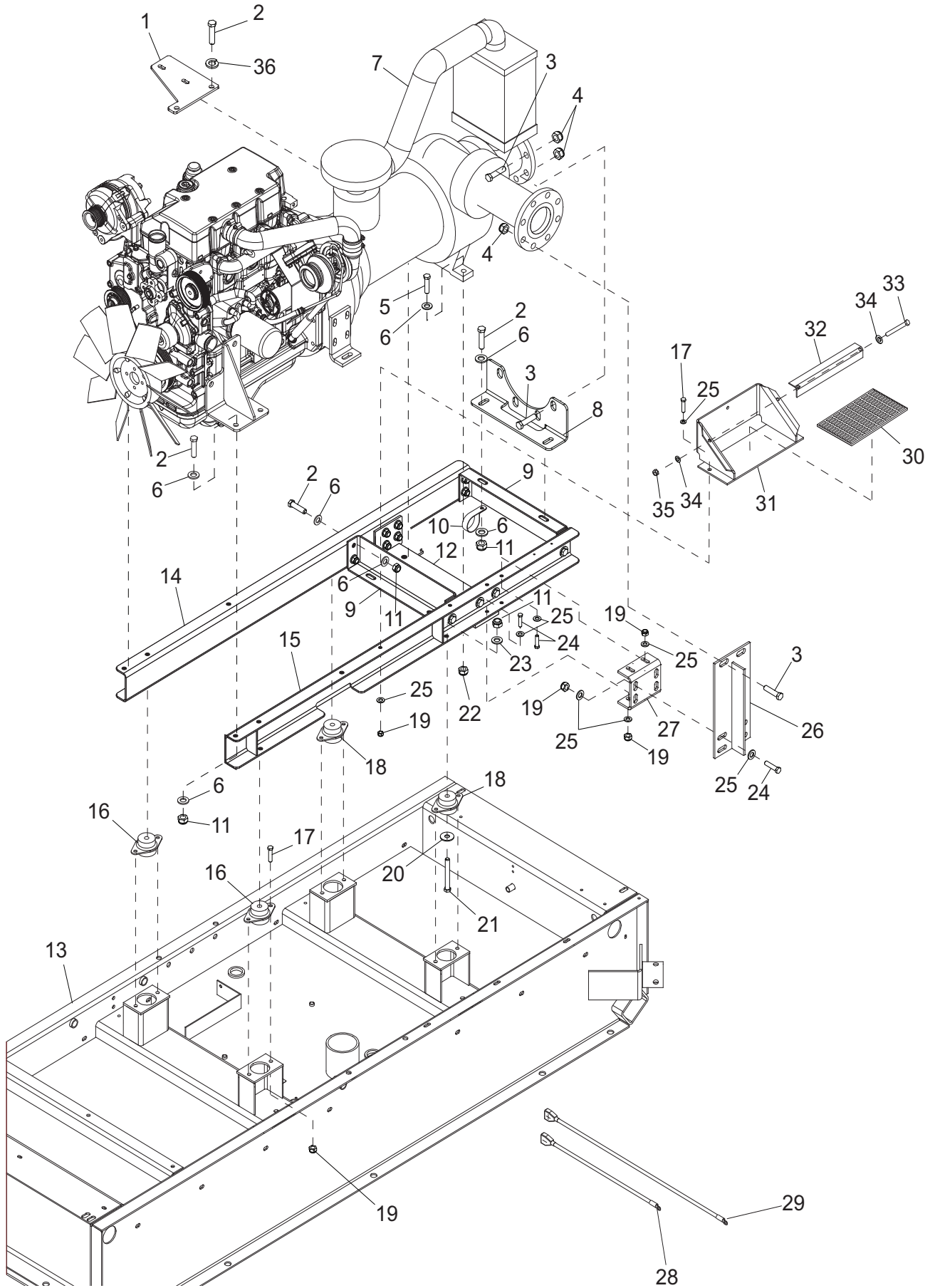
ITEM	PART NO.	QTY	DESCRIPTION	NOTES
1	22712	1	Clamp, v-band - 2.75	
2	49913	1	Pipe, exhaust	
3	19336	2	Clamp, hose - SAE 044 (2.31-3.25)	
4	30811	4 ft.	Sleeve, high temp - 4.00 (black)	
5	25647	1	Cap, rain - 2.50	
6	60507	4	Screw, .312-18x1.000 std hex 18-8 SS	
7	60340	8	Washer, .312 flat .875/.040 18-8 SS	
8	24332	1	Muffler, exhaust	
9	60515	4	Nut, .312-18 hex 18-8 SS	
10	15550	1	Clamp, muffler - 2.50 heavy duty	

ENGINE ASSEMBLY



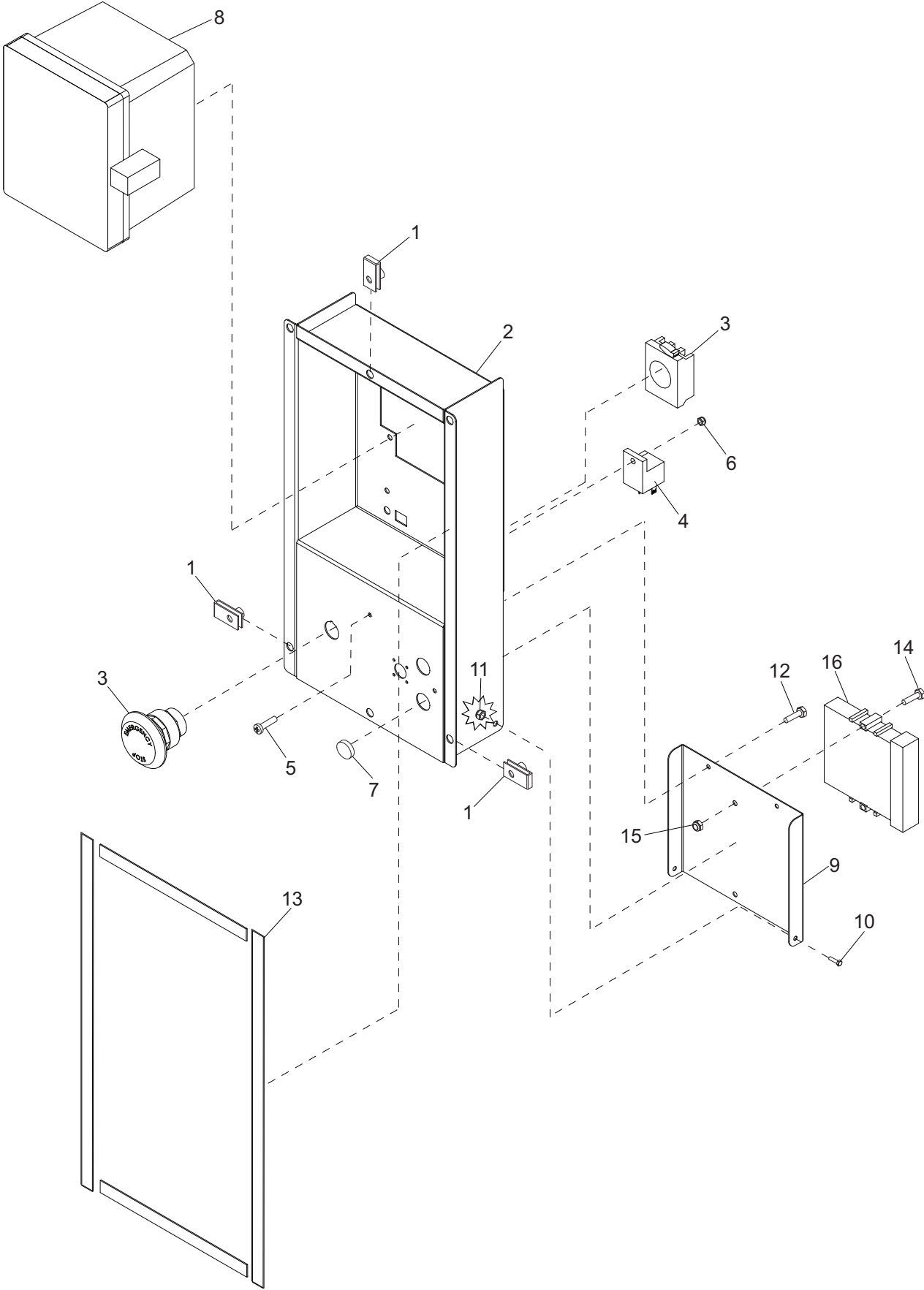
ITEM	PART NO.	QTY	DESCRIPTION	NOTES
1	49819B	2	Bracket, engine support	
2	60072	8	Screw, M12-1.75X25 sflg hex G10.9 zb	
3	29776	1	Engine, Deere 4024HF285 2800RPM T3	
4	60206	8	Washer, .375 split lock hardened	
5	60205	8	Screw, .375-16x1.000 std hex	
6	60026	16	Washer, M10 split lock	
7	60177	2	Screw, M10-1.50x30 std hex G10.9 zb	
8	49700	1	Pump, trash - 6.00 dry prime	
9	60215	10	Screw, M10-1.50x35 std hex G8.8	
10	62084	1	Clamp, tubing - 1.75 lt duty	
11	24845	1	Belt, fan	
12	49557	1	Switch, oil pressure	
13	22331	1	Fitting, 45-.125MNPTx.125FNPT brs	
14	60735	1	Fitting, strt-.125NPT tee brs	
15	30242	1	Sender, oil - .125NPT (150psi) - Lofa	
16	49817B	1	Weldment, engine mount - lh	
17	60193	6	Washer, M16 flat lb	
18	60194	6	Washer, M16 split lock lb	
19	60489	6	Screw, M16-2.00x40 std hex G10.9 zb	
20	23144	1	Filter, oil	
21	23145	1	Filter, fuel	
22	19467	1	Seal, M22	
23	19307	1	Fitting, strt-.500FNPTxM22x1.500 brs	
24	60438	1	Fitting, nipple, pipe-.500NPTxclose	
25	60985	1	Valve, ball .500NPTF pad-locking	
26	41168	1	Fitting, 90-.500NPTx.750 barb blk nyl	
27	60998	1	Fitting, 90-.500MNPTx.500FNPT brs	
28	60859	4	Screw, M10-1.50x45 soc hex G12.9 lb	
29	61204	4	Screw, M8-1.25x20 std hex G10.9 dcmt	
30	60029	4	Washer, M8 split lock	
31	41121	1	Fan, pusher - 18.00 cw	
32	49883	1	Spacer, fan	
33	49816B	1	Weldment, engine mount - rh	

ENGINE AND PUMP TO SKID ASSEMBLY



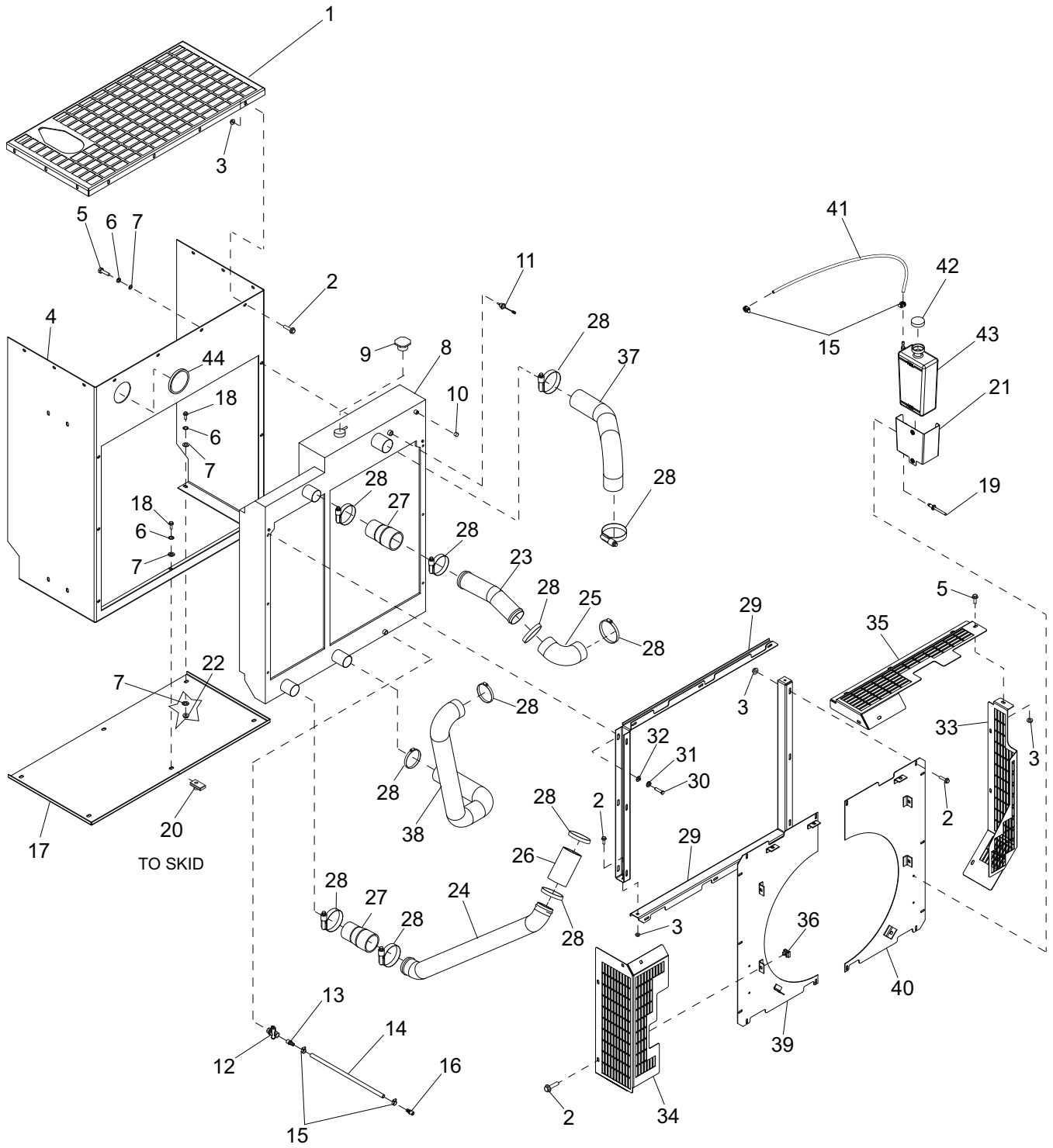
ITEM	PART NO.	QTY	DESCRIPTION	NOTES
1	49716B	1	Bracket, air filter	
2	60388	26	Screw, .500-13x1.500 std hex	
3	61076	8	Screw, .750-10x3.00 std hex	
4	15293	10	Nut, .750-10 hex	
5	61070	2	Screw, .625-11x2.750 std hex	
6	60309	42	Washer, .500 flat 1.060/.090	
7	<i>Page 14</i>	1	Assembly, engine/pump	
8	49818B	1	Bracket, pump inlet support	
9	49807B	2	Channel, engine support	
10	62084	2	Clamp, tubing - 1.75 lt duty	
11	60307	28	Nut, .500-13 nytk	
12	49872B	1	Weldment, pump mount	
13	<i>Page 10</i>	1	Assembly, fuel tank/skid	
14	49735B	1	Weldment, pump support channel	
15	49830B	1	Weldment, engine support - lh	
16	18083	2	Isolator, rubber 570/380 lbs	
17	60205	10	Screw, .375-16x1.000 std hex	
18	22788	2	Isolator, rubber 350 lbs	
19	60358	18	Nut, .375-16 nytk	
20	18085	4	Washer, .510 snub 2.000/.130 zy	
21	60390	4	Screw, .500-13x3.500 std hex	
22	60240	2	Nut, .625-11 nytk	
23	60416	4	Washer, .500 flat 1.375/.090	
24	60352	8	Screw, .375-16X1.250 std hex	
25	60386	20	Washer, .375 flat .993/.064	
26	49823B	1	Weldment, volute support	
27	49820B	1	Bracket, volute support	
28	49901	1	Cable, battery - 24.00 2ga blk .50 lug	
29	49900	1	Cable, battery - 54.00 2ga red w/lead - .375 lug	
30	41185	1	Battery pad - 6.00x10.00 black pillo-mat	
31	49810B	1	Weldment, battery bracket	
32	41055B	1	Bracket, battery tie-down	
33	60845	2	Screw, .312-18x7.000 std hex	
34	60119	4	Washer, .312 flat .875/.070	
35	60303	2	Nut, .312-18 nytk	
36	60276	2	Washer, .500 split lock	

CONTROL BOX ASSEMBLY



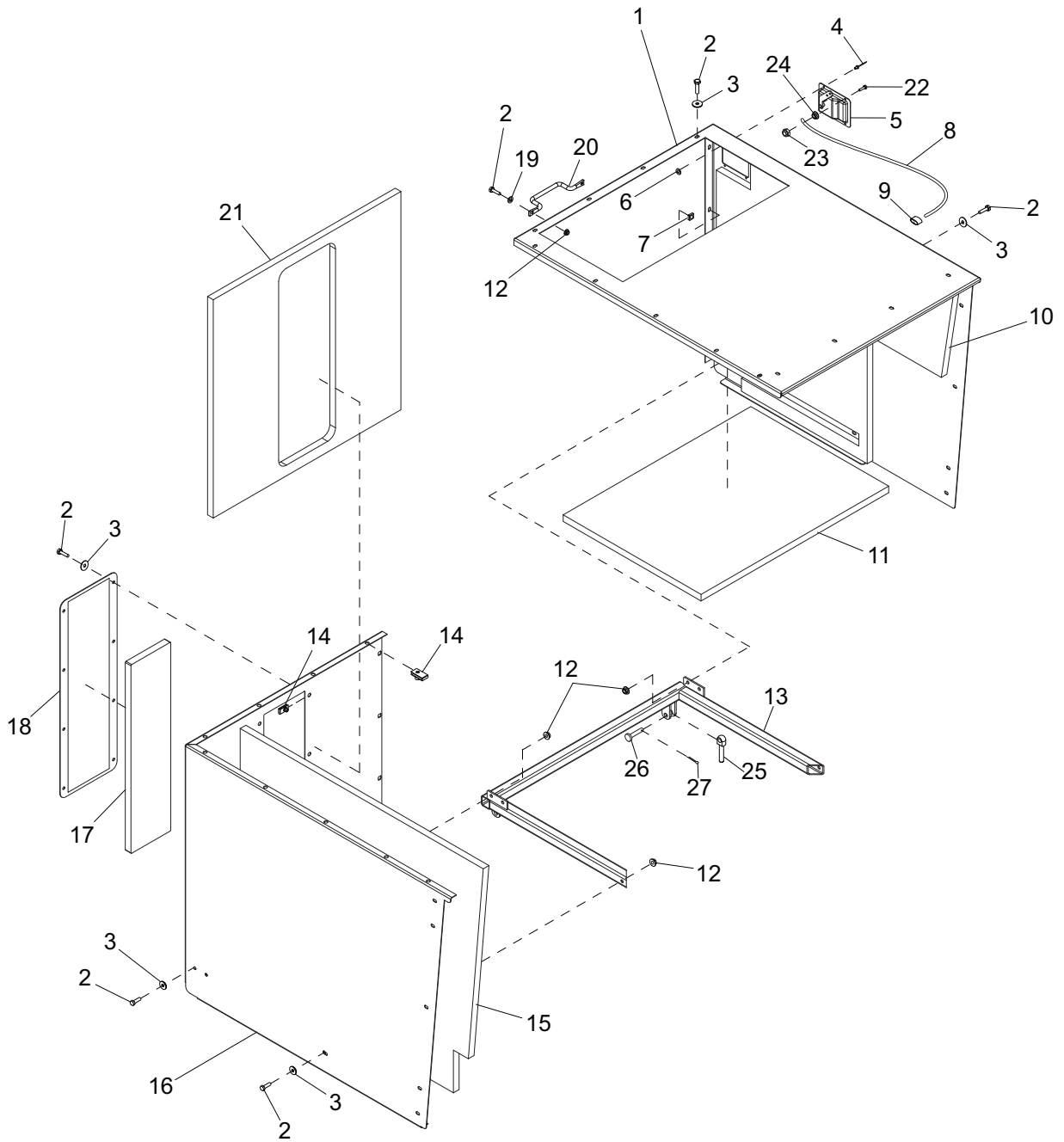
ITEM	PART NO.	QTY	DESCRIPTION	NOTES
1	61143	8	Nut, .250-20 U clip PO short type spg stl	
2	49639B	1	Box, controls mounting	
3	65470	1	Switch, e-stop operator	
4	66455	1	Relay, 12V 70A NC/80A NO w/diode	
5	60398	1	Screw, 10-32x.500 pan phil 18-8 SS	
6	60061	1	Nut, 10-32 nytk	
7	60861	2	Plug, hole .875 dia black	
8	49949	1	Controller, programmed - Lofa 750	
9	49888B	1	Panel, controls mounting box	
10	60281	2	Screw, .250-20x.750 std hex	
11	60144	2	Nut, .250-20 nytk	
12	60175	2	Screw, .250-20x.500 sflg hex	
13	50230	4ft	Weatherstripping - .188 x .500	
14	60785	2	Screw, .312-18x2.000 std hex 18-8 SS	
15	60303	2	Nut, .312-18 nytk	
16	--	1	Unit, electronic control	Part of p/n 29776

COOLING SYSTEM ASSEMBLY



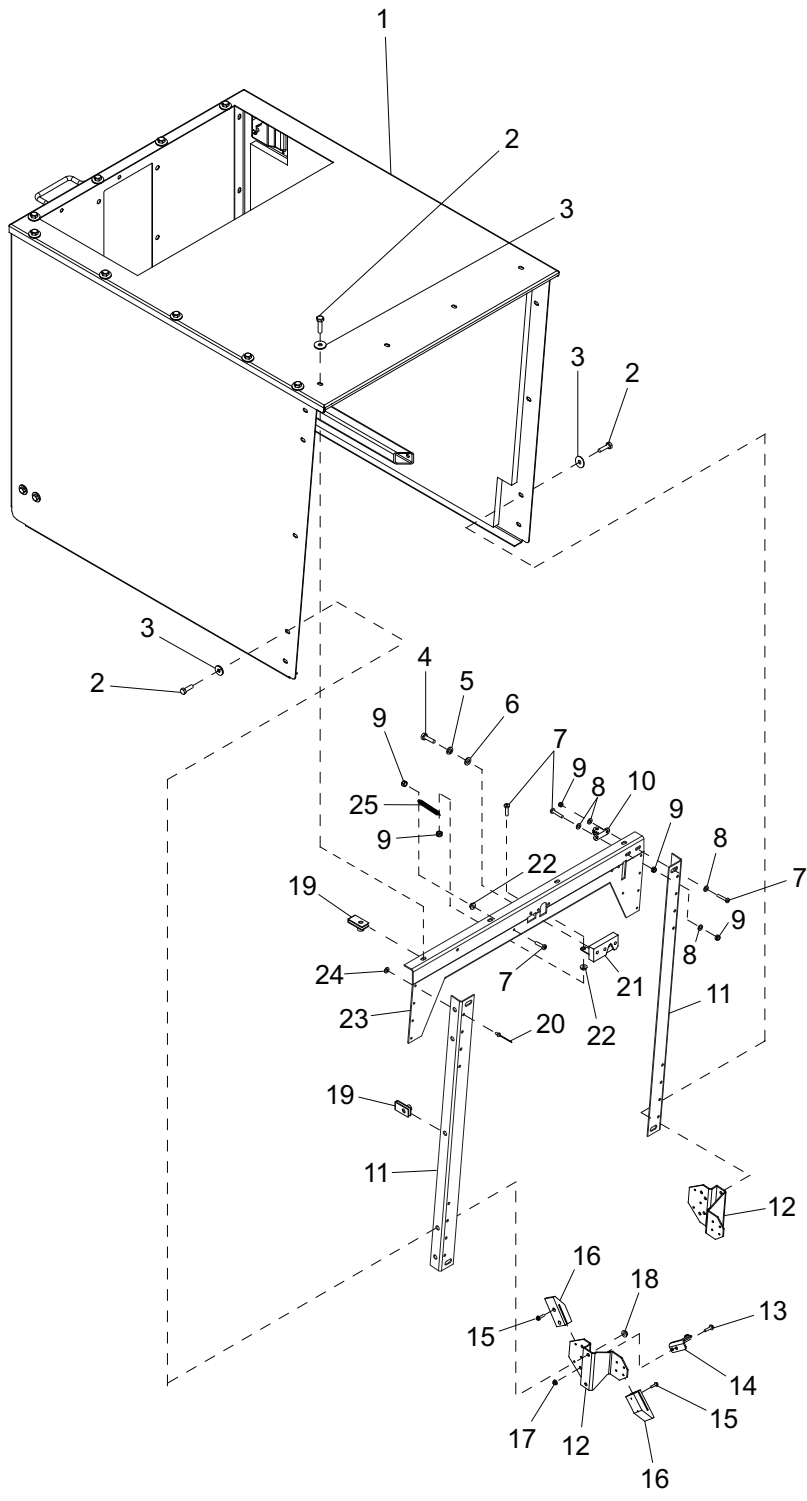
ITEM	PART NO.	QTY	DESCRIPTION	NOTES
1	24309B	1	Panel, roof outlet	
2	60175	38	Screw, .250-20x.500 sflg hex	
3	60161	27	Nut, .250-20 sflg	
4	27774B	1	Panel, bulkhead	
5	60687	6	Screw, .312-18x.750 std hex 18-8 SS	
6	60701	12	Washer, .312 split lock 18-8 SS	
7	60340	15	Washer, .312 flat .875/.040 18-8 SS	
8	27675	1	Radiator	
9	19219	1	Cap, radiator pressure small - 14 psi	
10	60776	1	Fitting, plug-.250NPT hex flsh mnt hd brs	
11	65592	1	Sensor, low coolant	
12	19280	1	Valve, ball 90 - .375 NPTF	
13	19180	1	Fitting, strt-.375MNPTx.312 barb	
14	50018	.812 ft.	Hose, fuel - .312 ID 50 psi SAE 30R7	
15	14216	4	Clamp, hose - SAE 004 (.21-.62) mini	
16	60999	1	Fitting, strt-.500MNPTx.312 barb brs	
17	24849B	1	Panel, bulkhead lower	
18	60507	6	Screw, .312-18x1.000 std hex 18-8 SS	
19	60195	2	Rivet, .188 dia x .375 to .500 grip lg flg	
20	60505	3	Nut, .312-18 U clip PO long type	
21	26211B	1	Bracket, overflow jug	
22	60515	6	Nut, .312-18 hex 18-8 SS	
23	49884	1	Pipe, CAC in	
24	49885	1	Pipe, CAC out	
25	27775	1	Hose, CAC - 2.00 x 90 deg	
26	28540	1	Hose, CAC - 2.00 x 4.00 long	
27	27993	2	Hose, CAC - 1.75-2.00 x 4.00 long	
28	60660	6	Clamp, hose - constant trq - 1.75-2.625	
29	49715B	2	Shroud, radiator	
30	60168	6	Screw, .312-18x.750 std hex	
31	60271	6	Washer, .312 split lock	
32	60119	6	Washer, .312 flat .875/.070	
33	49736B	1	Guard, fan - right hand	
34	49737B	1	Guard, fan - left hand	
35	49895	1	Guard, fan - top	
36	15424	11	Nut, .250-20 cage	
37	41045	1	Hose, radiator - upper	
38	29690	1	Hose, lower radiator	
39	29565B	1	Panel, fan shroud - left	
40	29566B	1	Panel, fan shroud - right	
41	50018	3.92 ft.	Hose, fuel - .312 ID 50 psi SAE 3R7	
42	19714	1	Cap, overflow bottle	
43	24952	1	Jug, overflow 2.5 qt.	
44	27434	1	Plug, 3.000 hole - blk nyl press in	
45	24950	2	Magnet, disc - 2.03"	

FRONT HOOD ASSEMBLY



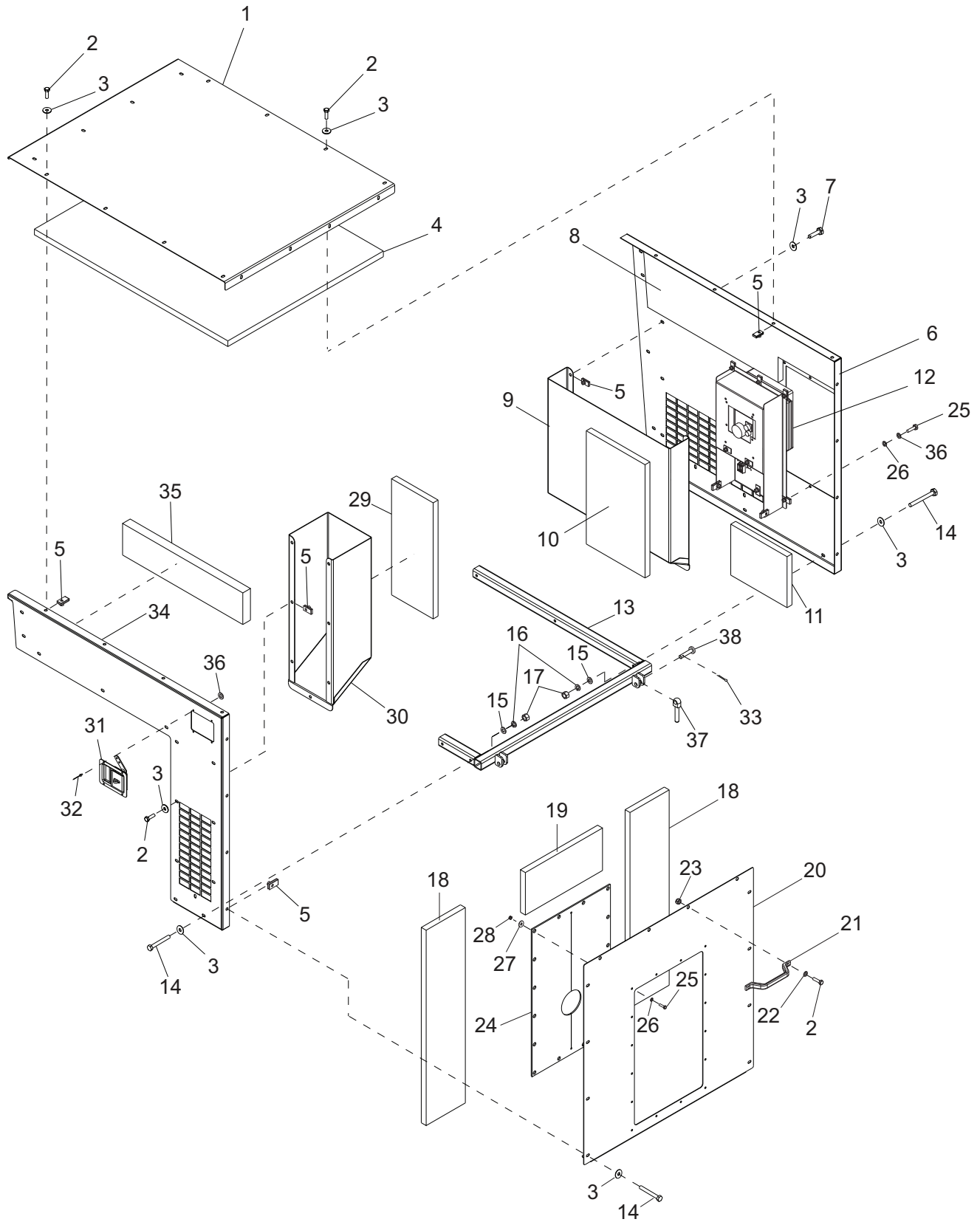
ITEM	PART NO.	QTY	DESCRIPTION	NOTES
1	49640NS	1	Panel, front upper hood	
2	60507	23	Screw, .312-18x1.00 hx hd SS	
3	60452	21	Washer, flat .313x1.125 bond. rbr SS	
4	60268	4	Rivet, .188 diax.126 to .250 grip SS	
5	24676	1	Latch, paddle w/padlock handle	
6	60041	4	Washer, flat M5	
7	15425	4	Nut, .312-18 cage	
8	24677	1	Cable, remote latch - 56"	
9	24678	1	Crimp, cable - for remote latch	
10	49694	1	Foam, front right panel	
11	26203	1	Foam, front top panel	
12	60095	6	Nut, .312-18 hx ser flg	
13	26280B	1	Weldment, front hood hinge	
14	60505	17	Nut, u clip - .312-18 long type	
15	26201	1	Foam, front left panel	
16	24207NS	1	Panel, front side hood	
17	24962	1	Foam, front cutout	
18	24828NS	1	Panel, actuator clearance hole	
--	50197	6.33 ft.	Weatherstripping, .06x1.00	Not shown
19	60340	2	Washer, flat .312 SS	
20	26288	1	Handle, front hood access - black	
21	30163	1	Foam, front panel	
22	60062	1	Screw, 10-32x.750 pan phil	
23	60061	1	Nut, 10-32 nyk	
24	61045	1	Nut, 10-32 sflg case hardened	
25	60989	2	Bolt, .50-13 x 3.125 rod end	
26	60745	2	Pin, clevis- .500 dia x 1.500 zp	
27	60320	2	Pin, cotter - .188x1.25 zp	
--	50354	19 ft.	Seal, rubber - bubble type (.750)	Not shown, use on hood edges
--	50358	9 ft.	Seal, rubber - bubble type (1.00)	Not shown, use on area touching top lift post and top lift channel.
--	49987	--	Assembly, front hood	

FRONT HOOD SUPPORT STRUCTURE ASSEMBLY



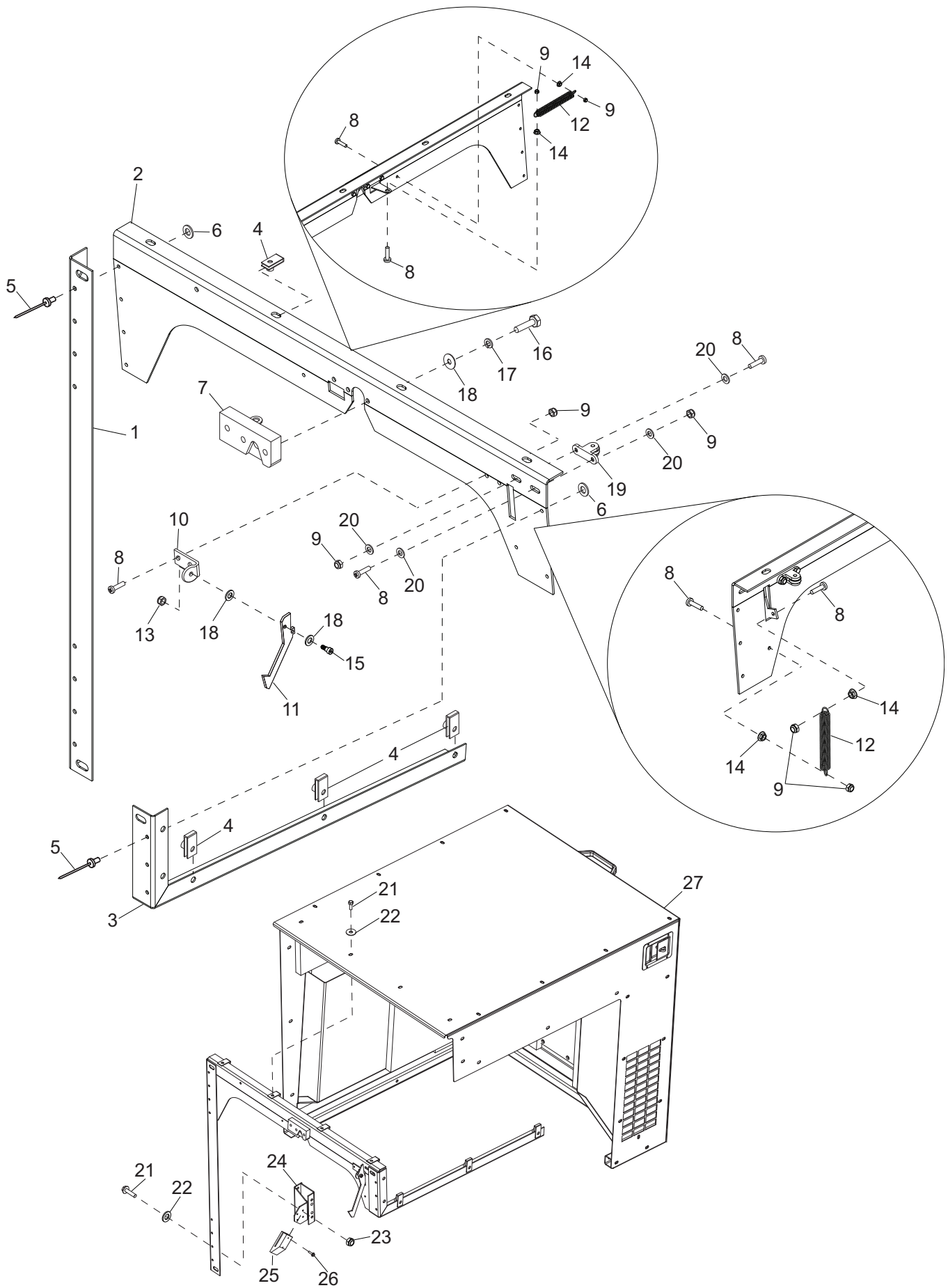
ITEM	PART NO.	QTY	DESCRIPTION	NOTES
1	Page 22	1	Assembly, front hood	
2	60507	18	Screw, .312-18x1.00 hx hd SS	
3	60452	18	Washer, flat .313 x 1.125 bond. rubber SS	
4	60393	3	Screw, .250-20x1.000 hx hd	
5	60286	3	Washer, split lock .250	
6	60243	3	Washer, flat .250	
7	60062	4	Screw, 10-32x.750 pan hd phil	
8	60269	4	Washer, #8 flat .433/.036	
9	60061	4	Nut, 10-32 hx nylock	
10	24441	1	Pulley, cable - .750"	
11	24218B	2	Bracket, side sealing	
12	24538B	2	Weldment, front alignment bracket	
13	60479	4	Screw, .250-20x1.000 hx ser flg	
14	29689ZC	2	Bracket, front hood stop	
15	60426	8	Screw, 8-18x.750 t/s	
16	28521	4	Shoe, hood guide	
17	60161	4	Nut, .250-20 hx ser flg	
18	60095	4	Nut, .312-18 sflg zc case hrd	
19	60505	17	Nut, U clip - .312-18 long type	
20	60231	8	Rivet, .188 dia x .375 to .500 grip range	
21	26287	1	Latch, remote right w/spring return	
22	61045	2	Nut, 10-32 hx ser flg	
23	24219B	1	Bracket, top sealing	
24	60237	8	Washer, flat SAE #10	
25	26162	1	Spring, hood	

REAR HOOD ASSEMBLY



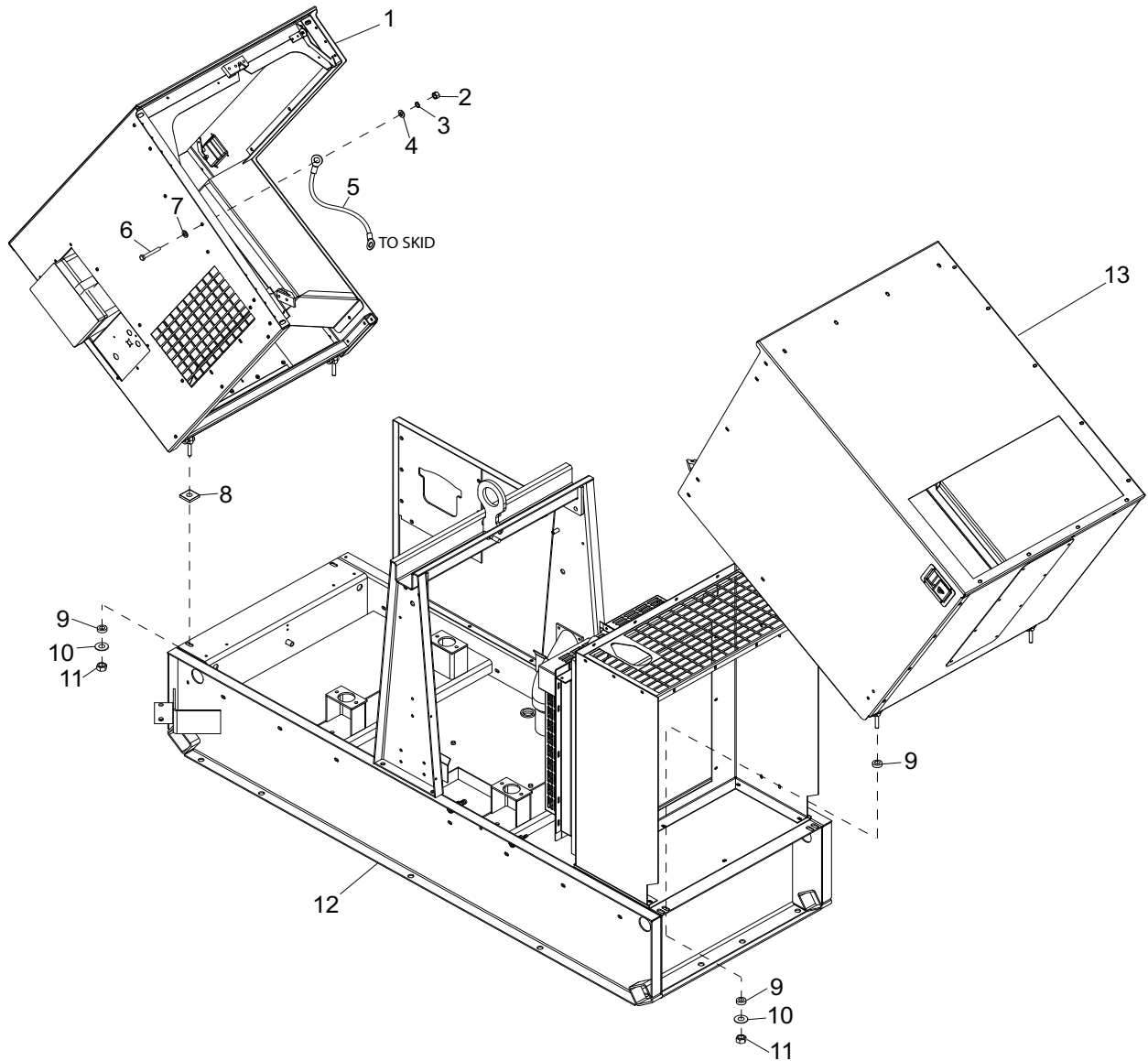
ITEM	PART NO.	QTY	DESCRIPTION	NOTES
1	49790NS	1	Panel, hood	
2	60507	33	Screw, .312-18x1.000 std hex 18-8 SS	
3	60452	33	Washer, .313 flat 1.125/1.0 18-8 SS rbr	
4	49862	1	Foam	
5	62086	33	Nut, .312-18 U clip PO short type sprng stl	
6	49721NS	1	Panel, hood	
7	61052	8	Screw, .312-18x1.500 std hex 18-8	
8	49866	1	Foam	
9	49836	1	Duct	
10	49868	1	Foam	
11	49867	1	Foam	
12	Page 18	1	Assy, control box	
13	49795B	1	Weldment, hood hinge	
14	60243	5	Screw, .312-18x2.250 std hex 18-8 SS	
15	60119	4	Washer, .312 flat .875/.070	
16	60271	4	Washer, .312 split lock	
17	60285	4	Nut, .312-18 hex	
18	49863	2	Foam	
19	49864	1	Foam	
20	49789NS	1	Panel, hood	
21	26288	1	Handle, hood access - black	
22	60340	2	Washer, .312 flat .875/.040 18-8 SS	
23	60303	2	Nut, .312-18 nytk	
24	49849	1	Rubber seal - 6.00 pump inlet	
25	60684	22	Screw, .250-20x.875 std hex 18-8 SS	
26	60696	22	Washer, .250 flat .625/.050 18-8 SS	
27	60089	16	Washer, .265 fndr 1.250/.060	
28	60144	16	Nut, .250-20 nytk	
29	49869	1	Foam	
30	49794	1	Duct	
31	24676	1	Latch, paddle w/padlock handle	
32	60268	4	Rivet, .188 dia x .126 to .250 grip ssb6-4s	
33	60320	2	Pin, cotter - .188x1.25 zp	
34	49722NS	1	Panel, hood	
35	49865	1	Foam	
36	60704	6	Washer, .250 split lock 18-8 SS	
37	60989	2	Bolt, .50-13 x 3.125 rod end	
38	60745	2	Pin, clevis- .500 dia x 1.500 zp	
--	49720	1	Assembly, rear hood	

REAR HOOD SUPPORT STRUCTURE ASSEMBLY



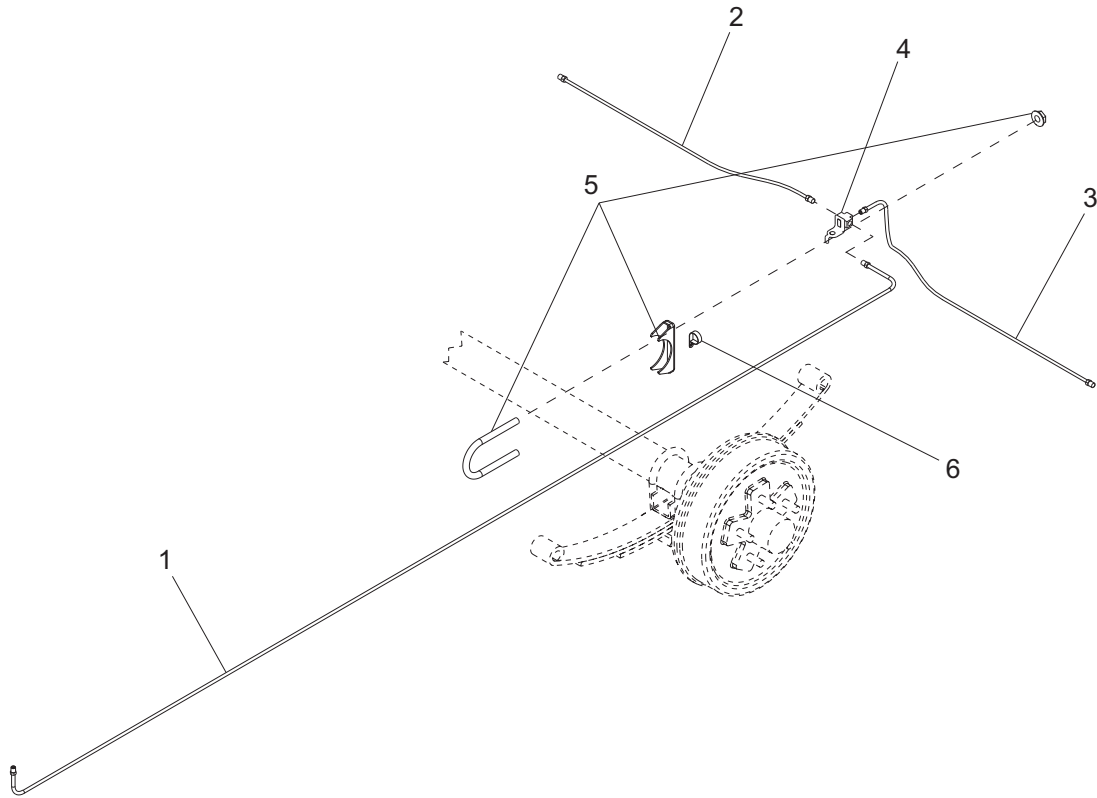
ITEM	PART NO.	QTY	DESCRIPTION	NOTES
1	24218B	2	Bracket, side sealing	
2	49845B	1	Bracket, top sealing	
3	49793B	1	Bracket, side sealing	
4	60505	12	Nut, .312-18 u clip - long type	
5	60231	7	Rivet, .188 dia x .375 to .500 grip range	
6	60269	7	Washer, #8 flat .433/.036	
7	26287	1	Latch, remote rht w/spring return	
8	60062	8	Screw, 10-32x.750 pan head phil	
9	60061	8	Nut, 10-32 hx nylock	
10	24822B	1	Bracket, prop rod	
11	24850ZC	1	Plate, secondary latch	
12	26162	2	Spring, .250 x 1.93 - rear hood	
13	60144	1	Nut, .250-20 nylock	
14	61045	4	Nut, 10-32 hx ser flg	
15	61138	1	Screw, .312 shoulder x .250 lg	
16	60393	3	Screw, .250-20x1.000 std hex	
17	60286	3	Washer, .250 split lock	
18	60243	5	Washer, .250 flat .735/.060	
19	24441	1	Pulley, cable - .750"	
20	60041	4	Washer, M5 flat	
21	60507	12	Screw, .312-18x1.00 hx hd SS	
22	60452	12	Washer, flat .313 x 1.125 bond. rubber SS	
23	60303	1	Nut .312-18 nylock	
24	24450B	1	Weldment, hood locator - black	
25	28521	1	Shoe, hood guide	
26	60426	2	Screw, 8-18x.750 flg hex w/seal	
27	Page 26	1	Assembly, rear hood	

HOODS TO SKID ASSEMBLY



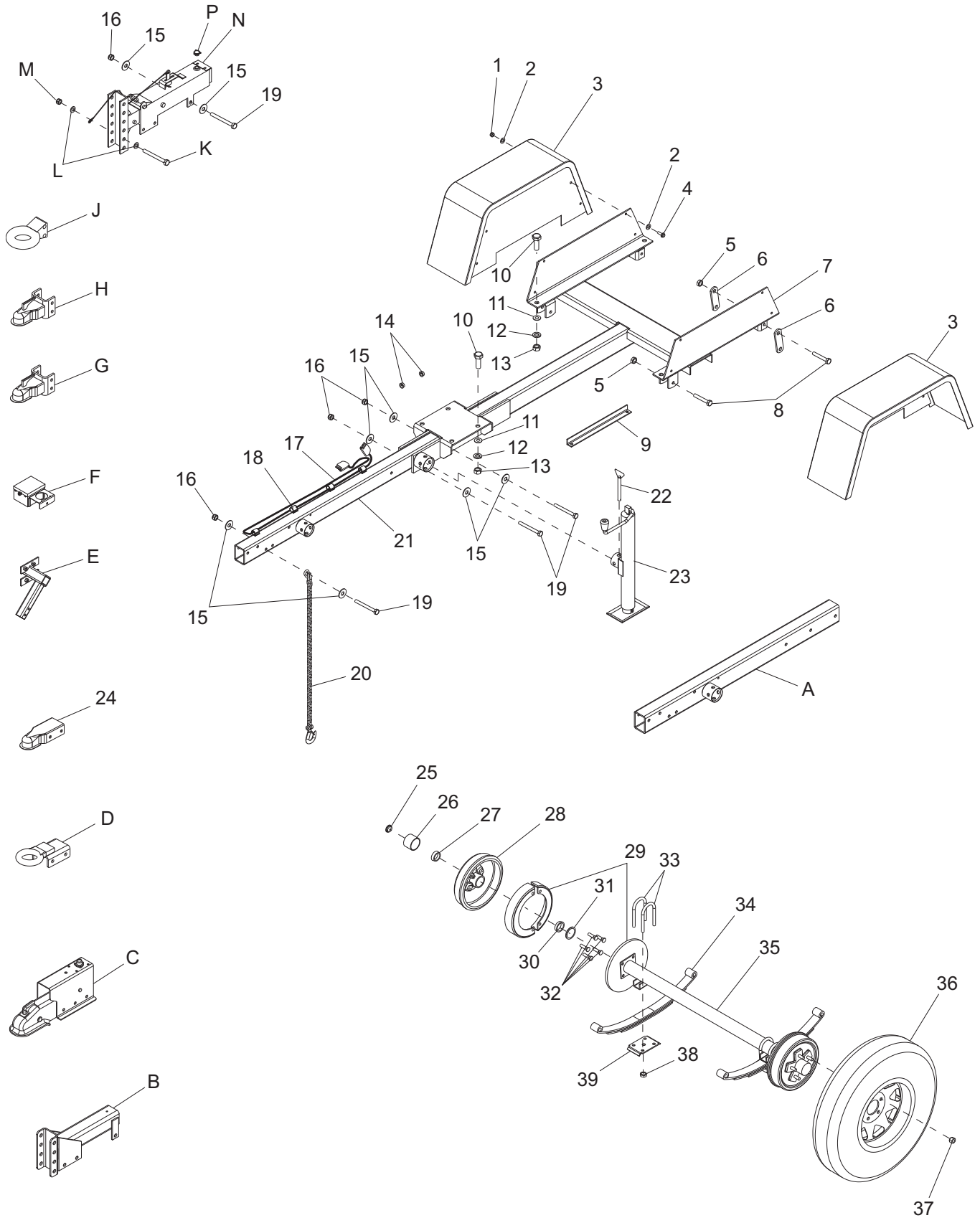
ITEM	PART NO.	QTY	DESCRIPTION	NOTES
1	Page 26	1	Assy, rear hood	
2	60285	1	Nut, .312-18 hex	
3	60271	1	Washer, .312 split lock	
4	60340	1	Washer, .312 flat .875/.040 18-8 SS	
5	49898	1	Tether, cable steel .188x30.0 w/eyelets	
6	60782	1	Screw, .312-18x2.500 std hex18-8 SS	
7	60452	1	Washer, .313 flat 1.125/1.0 18-8 SS bnd	
8	49893B	2	Plate, hood stop	
9	24748B	6	Spacer, rod end	
10	60702	4	Washer, split lock .500 SS	
11	60681	4	Nut, .500-13 hx SS	
12	Page 16	1	Skid	
13	Page 22	1	Assy, front hood	

BRAKE LINES - SINGLE AXLE, FLIP TONGUE



ITEM	PART NO.	QTY	DESCRIPTION	NOTES
1	24688	1	Hose, brake - .188 x 136.00 male/male	
2	40495	1	Line, brake - .188 x 20.00	
3	40494	1	Line, brake - .188 x 30.00	
4	19252	1	Fitting, .188 - brake line T w/bracket	All female
5	61028	1	Clamp, muffler - 2.50 lt duty	U-bolt and saddle
6	61010	1	Clamp, tubing - .375 heavy duty .375 bolt	

TRAILER ASSEMBLY



ITEM	PART NO.	QTY	DESCRIPTION	NOTES
1	60140	8	Nut, .375-16 hx hd	
2	60386	16	Washer, flat .375	
3	22743B	2	Fender, single wheel	
4	60179	8	Screw .375-16x.750 hx hd	
5	60504	6	Nut, hx shackle lock	
6	19637	4	Plate, shackle bracket	
7	24811B	1	Weldment, trailer chassis	
8	60503	6	Screw, .562-18 hx shackle	
9	24691B	1	Brace, tongue shipping	
10	60383	6	Screw, hx hd	
11	60247	6	Washer, flat .750	
12	60248	6	Washer, split lock .750	
13	15293	6	Nut, .750-10 hx	
14	22340	2	Bushing, 1.00 od x .75 ID	
15	60309	14	Washer, flat .500	
16	60307	7	Nut, .500-13 hx nytk	
17	23205	1	Harness, trailer	
18	61010	7	Clamp, tubing - heavy duty	
19	60659	7	Screw, hx hd	
20	23367	2	Chain, safety	
21	24812B	1	Weldment, flip tongue	
22	23256	1	Pin, jack - tube mounted	
23	13051	1	Jack assy, top wind	
24	15103	1	Coupler, 2" ball/3" channel	
25	11254	2	Plug, grease cap - for zerk	
26	23170	2	Cap, grease - w/ rubber plug	
27	24831	2	Roller bearing - outer	
28	26452	2	Brake drum - 12" 6 on 5.5"	
29	26572	2	Surge brake assy, rh	
	26571	2	Surge brake assy, lh	
	26574	2	Electric brake assy, rh	Option: electric brake
	26573	2	Electric brake assy, lh	Option: electric brake
30	24830	2	Roller bearing - inner	
31	24832	2	Bearing seal axle	
32	60963	12	Stud, wheel - axle	
33	40875	4	U-bolt	
34	23912	2	Spring, 5000lb axle	
35	22877	1	Axle, 5000#, hydraulic	
	22876	1	Axle, 5000#, electric	Option: electric brake
36	18377	2	Wheel, ST225/75R15	
37	60096	12	Nut, .500-20 wheel lug	
38	26441	8	U-bolt nut, 1/2-20 plated	
39	40874	2	Tie plate	
A	24824B	1	Weldment, flip tongue	Option: adj. actuator/elec brakes
B	19379B	1	Weldment, hitch elec.	Option: electric brake
C	24304	1	Actuator, hyd srg brk - 2" ball	Option: 2" ball
D	11032	1	Weldment, lunette ring - 3"	Option: 3" ring
E	12235B	1	Weldment, spare tire holder	Option: spare tire holder
F	19417	1	Breakaway Kit	Option: breakaway kit
G	19518	1	Coupler, 2" ball for adj hitch	Option: 2" ball adjustable hitch
H	19519	1	Coupler, 2.31 ball	Option: 2.31" ball
J	19335B	1	Coupler, lunette ring - 3" adj	Option: 3" ring adjustable hitch
K	60239	2	Screw, hx hd	Option: adjustable hitch
L	60180	4	Washer, flat .625	Option: adjustable hitch
M	60240	2	Nut, .625-11 hx nylock	Option: adjustable hitch
N	40529	1	Actuator, hyd srg brk - adj	Option: adjustable hitch
P	30248	1	Cap, actuator, sealed	

REV: ORG
PART NO: 49979
04.10.12